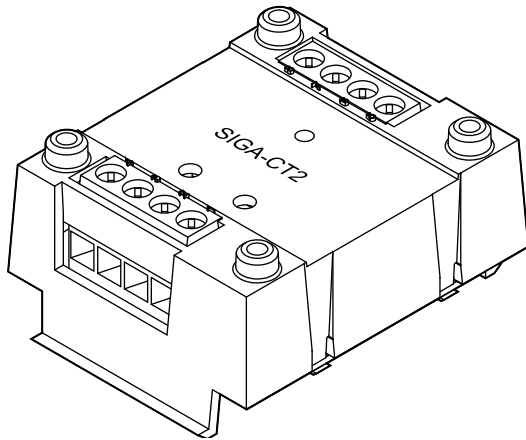


SIGA-CT2 Dual Input Module Installation Sheet



Description

The SIGA-CT2 Dual Input Module is an addressable device that is used to connect one or two Class B initiating device circuits (IDCs) to a Signature loop controller.

The module can be used for alarm, supervisory, or monitor type applications depending on the personality code assigned to it. The personality code downloaded to the module by the loop controller during system configuration determines the module's function.

The module requires two addresses on the signaling line circuit (SLC). Addresses are assigned electronically. There are no address switches.

Diagnostic LEDs show the state of the module:

- Normal: Green LED flashes
- Alarm/active: Red LED flashes

Personality codes

Use the personality codes listed in Table 1 to configure the SIGA-CT2 module.

Table 1: Personality codes

Code	Description	UL/ULC	EN 54-18
1	Alarm – NO latching (Class B) (default)	✓	
2	Alarm – NO delayed latching (Class B)	✓	
3	Active - NO nonlatching (Class B)	✓	✓
4	Active - NO latching (Class B)	✓	✓
18	Alarm - soft short latching, European Style C (Class B)		✓

Installation

Install this device in accordance with applicable national and local codes, ordinances, and regulations.

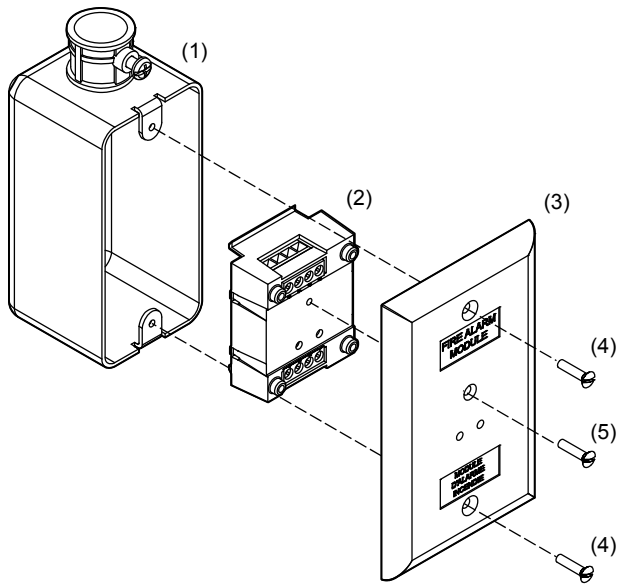
Notes

- The module is shipped from the factory as an assembled unit; it contains no user-serviceable parts and should not be disassembled.
- This module does not operate without electrical power. As fires frequently cause power interruption, discuss further safeguards with the local fire protection specialist.
- This module does not support conventional smoke detectors.

To install the module:

1. Write the address assigned to the module on the label provided, and then apply the label to the module. Remove the serial number label from the module, and then attach it to the project documentation.
2. Wire the module as shown in "Wiring" on page 2.
3. Using the self-tapping screw provided, attach the wall plate to the module. See Figure 1.
4. Using the two machine screws provided, attach the wall plate and module to the electrical box.

Figure 1: Installing the SIGA-CT2 module



- | | |
|-------------------------------|------------------------------------|
| (1) Compatible electrical box | (4) #6-32 × 5/8 machine screw (2X) |
| (2) SIGA-CT2 module | (5) #4 × 1/2 self-tapping screw |
| (3) Wall plate | |

Wiring

Wire this device in accordance with applicable national and local codes, ordinances, and regulations.

Notes

- Refer to the Signature loop controller installation sheet for SLC wiring specifications.
- All wiring is power-limited and supervised.
- Test resistors are supplied with the SIGA-CT2 to prevent trouble signals on unused circuits during installation. Remove the test resistors and install a 47 kΩ UL/ULC Listed EOLR at the end of the circuit.

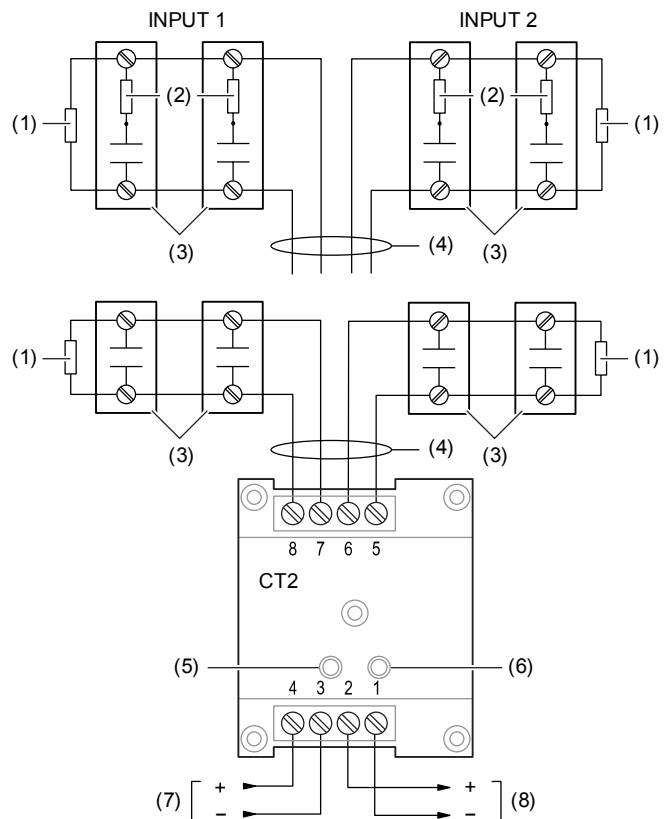
To wire the module:

- Verify that all field wiring is free of opens, shorts, and ground faults.
- Strip 1/4 in. (about 6 mm) from the ends of all wires that connect to the terminal block of the module.

When stripping wire ends, exposing more wire may cause a ground fault; exposing less wire may result in a faulty connection.

- Make all wiring connections as shown in Figure 2.

Figure 2: Wiring diagram





- | | |
|---|--------------------------------|
| (1) 47 kΩ EOL resistor (P/N EOL-47) | (5) Red LED (alarm/active) |
| (2) 22 kΩ resistor for use with personality code 18 | (6) Green LED (normal) |
| (3) Typical NO initiating device | (7) SLC (from previous device) |
| (4) 10 VDC at 350 μA max. | (8) SLC (to next device) |

Specifications

Operating voltage	15.20 to 19.95 VDC
Current	
Standby	45 μ A
Activated	700 μ A
Ground fault impedance	10 k Ω
Initiating device circuit (IDC)	
EOL resistor value	47 k Ω , UL/ULC Listed
Circuit resistance	50 Ω (25 Ω per wire) max.
Circuit capacitance	0.1 μ F max.
Circuit designation	
Signaling line circuits	Class A, Style 6 or Class B, Style 4
Initiating line circuits	Class B, Style B
Wire sizes	12 to 18 AWG (1.0 to 4.0 mm ²)
Compatible electrical boxes	2-1/2 in. (64 mm) deep single-gang box 4 in. square box 1-1/2 in. (38 mm) deep. with single-gang cover
LPCB/CPR electrical box	
Requirements	Plastic box with cover plate, no gaps or unused holes
Minimum (W \times H \times D)	2.4 \times 3.5 \times 1.5 in. (60 \times 85 \times 38 mm)
Operating environment	
Temperature	32 to 120°F (0 to 49°C)
Relative humidity	0 to 93% noncondensing
Storage temperature range	-4 to 140°F (-20 to 60°C)

Regulatory information

North American standards	CAN/ULC-S527; UL 864, CE; FCC Part 15, Subpart J, Class B; DOCClass/MDC class B
FCC compliance	This device complies with part 15 of the FCC Rules. Operation is subject to the following two conditions: (1) This device may not cause harmful interference, and (2) this device must accept any interference received, including interference that may cause undesired operation.
EU compliance	
EN 54	EN 54-18: 2005 Input/output devices
CPR certificates	0832-CPR-F0332
LPCB reference	262y/09
	2002/96/EC (WEEE directive): Products marked with this symbol cannot be disposed of as unsorted municipal waste in the European Union. For proper recycling, return this product to your local supplier upon the purchase of equivalent new equipment, or dispose of it at designated collection points. For more information see: www.recyclethis.info .

Contact information

For contact information, see www.edwardsfiresafety.com.